



**Characteristics**

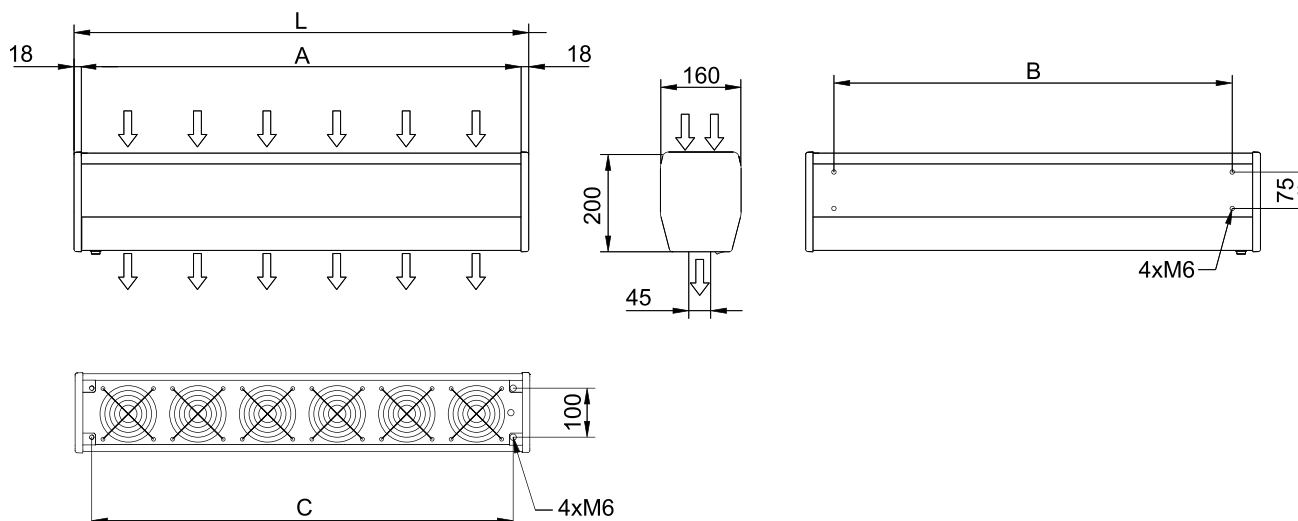


- Self-supporting casing construction made of galvanized steel plate, finished in structural epoxy-polyester painting white colour RAL9016 as standard. Other colours are available on request.
- Anodized aluminium outlet vanes, airfoil shaped.
- Compact axial fans, low noise level.
- “E” type with electrical shielded element. “A” type without heating, air only.
- Integrated switch for ventilation and heating control.
- Cable connection 1,5m length, integrated.
- Wall support included.

**Specifications**

		MIN 600 A	MIN 600 E230	MIN 900 A	MIN 900 E230
Power (fans)	W	60	60	90	90
Voltage (fans)	V	230~1	230~1	230~1	230~1
Current (fans)	A	0,52	0,52	0,78	0,78
Airflow	m³/h	420	420	630	630
Power (heating)	kW	-	2,5	-	3,2
Voltage (heating)	V	-	230~1	-	230~1
Current (heating)	A	-	10,8	-	13,9
Temperature Rise	°C	-	18	-	15
Weight	kg	9	10	12,5	13,5
Noise Level	dB(A)	46	46	47	47

**Dimensions**



	L	A	B	C
MIN 600	636	600	520	566
MIN 900	936	900	820	866