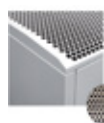




Characteristics



Industrial Grille



Decorative Grille

- Self-supporting casing construction made of galvanized steel plate, finished in structural epoxy-polyester painting white colour RAL9016 as standard. Other colours or stainless steel are available on request.
- Two frontal grille options. Industrial perforated by default (free of maintenance) or micro-perforated decorative with filter functions.
- Anodized aluminium outlet vanes, airfoil shaped, adjustable from 0 to 15° each side.
- Double-inlet centrifugal fans driven by an external rotor motor and low noise level. 5-speed selector.
- “P” type with water heated coil. “E” type with electrical shielded elements, three stages with integrated regulation. “A” type without heating, air only. Optional “DX” with direct expansion coil.
- Includes Plug&Play control with 10m RJ45 cable and infrared remote control. Optional: Clever control (programmable, automatic, intelligent, energy saving, Modbus RTU for BMS...).

Specifications

AIR ONLY

Model	Airflow m ³ /h	Power Fans 230V-50Hz kW	Current Fans 230V-50Hz A	Noise Level (5m) dB(A)	Weight kg
L 1000 A	4000	1,04	4,40	63	72
L 1500 A	6000	1,56	6,60	64	108
L 2000 A	8000	2,08	8,80	65	145
L 2500 A	10000	2,60	11,00	66	177
L 3000 A	12000	3,12	13,20	67	213
XL 1000 A	5300	1,40	6,00	65	78
XL 1500 A	7950	2,10	9,00	66	117
XL 2000 A	10600	2,80	12,00	67	157
XL 2500 A	13250	3,50	15,00	68	192
XL 3000 A	15900	4,20	18,00	69	211

ELECTRICAL HEATED

Model	Airflow m ³ /h	Electrical Heating Capacity 400Vx3-50Hz kW	Power Fans 230V-50Hz kW	Current Fans 230V-50Hz A	Noise Level (5m) dB(A)	Weight kg
L 1000 E	4000	6/13/19	1,04	4,40	63	90
L 1000 E-25	4000	10/15/25	1,04	4,40	63	90
L 1500 E	6000	8/22,5/30,5	1,56	6,60	64	135
L 1500 E-37,5	6000	15/22,5/37,5	1,56	6,60	64	135
L 2000 E	8000	12/30/42 (*)	2,08	8,80	65	180
L 2000 E-50	8000	20/30/50 (*)	2,08	8,80	65	180
L 2500 E	10000	20/30/50 (*)	2,60	11,00	66	225
L 2500 E-60	10000	20/40/60 (*)	2,60	11,00	66	225
L 3000 E	12000	20/40/60 (*)	3,12	13,20	67	270
L 3000 E-70	12000	20/50/70 (*)	3,12	13,20	67	270
XL 1000 E	5300	10/15/25	1,40	6,00	65	95
XL 1000 E-35	5300	10/25/35	1,40	6,00	65	96
XL 1500 E	7950	15/22,5/37,5	2,10	9,00	66	144
XL 1500 E-52	7950	15/37,5/52,5 (*)	2,10	9,00	66	150
XL 2000 E	10600	20/30/50 (*)	2,80	12,00	67	192
XL 2000 E-70	10600	20/50/70 (*)	2,80	12,00	67	200
XL 2500 E	13250	20/40/60 (*)	3,50	15,00	68	240
XL 2500 E-70	13250	20/50/70 (*)	3,50	15,00	68	250
XL 3000 E	15900	20/50/70 (*)	4,20	18,00	69	288
XL 3000 E-80	15900	30/50/80 (**)	4,20	18,00	69	300

(*) 2 separated power supplies.

(**) 3 separated power supplies.

WATER HEATED

Model	Airflow m ³ /h	P86		P64		P54		Power Fans 230V-50Hz kW	Current Fans 230V-50Hz A	Noise Level (5m) dB(A)	Weight kg
		Heating Capacity 80/60°C kW	Water Drop Pressure 80/60°C Pa	Heating Capacity 60/40°C kW	Water Drop Pressure 60/40°C Pa	Heating Capacity 50/40°C kW	Water Drop Pressure 50/40°C Pa				
L 1000 P	3800	19,68	1730	16,18	2570	17,18	1560	1,04	4,40	62	89
L 1500 P	5700	29,64	950	25,92	3210	29,04	5710	1,56	6,60	63	128
L 2000 P	7600	43,01	2390	35,58	3680	38,93	4330	2,08	8,80	64	171
L 2500 P	9500	56,01	4670	45,55	4750	49,36	4990	2,60	11,00	65	214
L 3000 P	11400	69,27	8090	56,78	8350	59,96	5770	3,12	13,20	66	260
XL 1000 P	4900	22,68	2250	18,98	3410	20,43	2120	1,40	6,00	64	94
XL 1500 P	7350	34,52	1240	30,45	4270	34,55	7780	2,10	9,00	65	137
XL 2000 P	9800	50,10	3140	41,83	4910	46,36	5910	2,80	12,00	66	183
XL 2500 P	12250	65,29	6130	53,56	6330	58,81	6810	3,50	15,00	67	227
XL 3000 P	14700	80,79	10640	66,78	11140	71,47	7890	4,20	18,00	68	278

Water heated:

2x1" for 1000 and 1500, 2x1½" for 2000 and 2500, 2x1½" for 3000.

Connection pipes P86, P64 and P54 are female (male if lateral pipes).

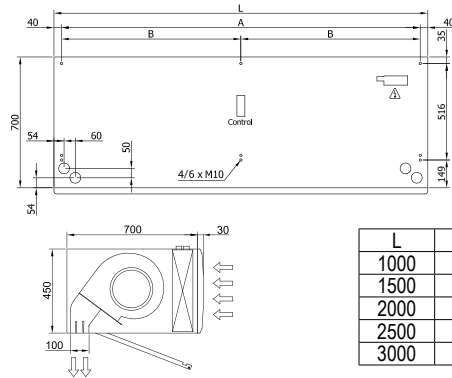
P86 2 rows coil, P64 3 rows coil, P54 4 rows coil.



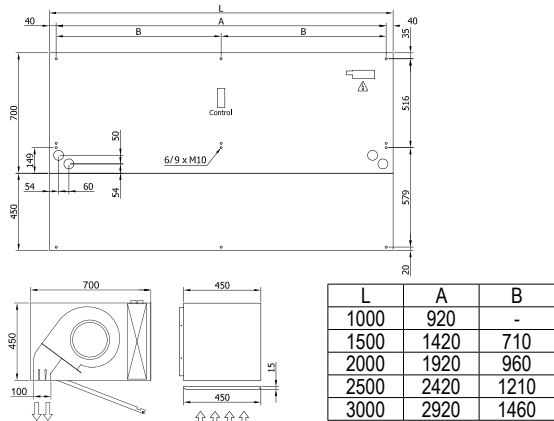
Layouts and dimensions



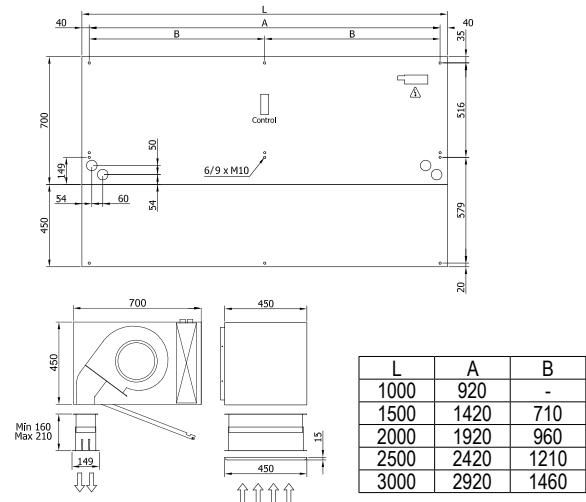
Free hanging mounting



Inside ceiling surface mounting



False ceiling invisible mounting



Insects outlet kit mounting

